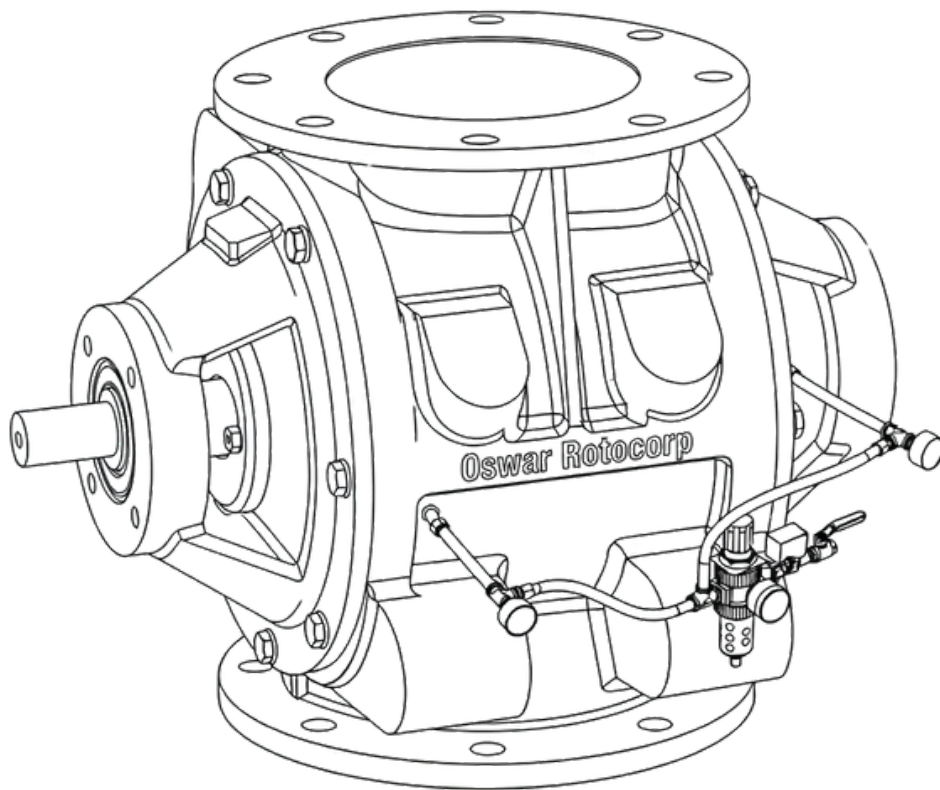


ROTARYVALVE

Premium Rotary Air Lock Platform



OSWAR
rotocorp



The Rotary Valve X Series represents Oswar Rotocorp's premium rotary airlock platform, engineered for superior performance in critical and high-demand industrial applications.

Designed with advanced engineering principles and enhanced structural integrity, the X Series delivers exceptional airlock sealing efficiency, stable volumetric control, and extended lifecycle reliability. This platform integrates optimized rotor dynamics, precision-machined housing geometry, and upgraded sealing systems to achieve higher operational efficiency and reduced energy loss.

PREMIUM PLATFORM ADVANTAGES

ADVANCED
ROTOR DYNAMICS
DESIGN

SUPERIOR
AIRLOCK SEALING
EFFICIENCY

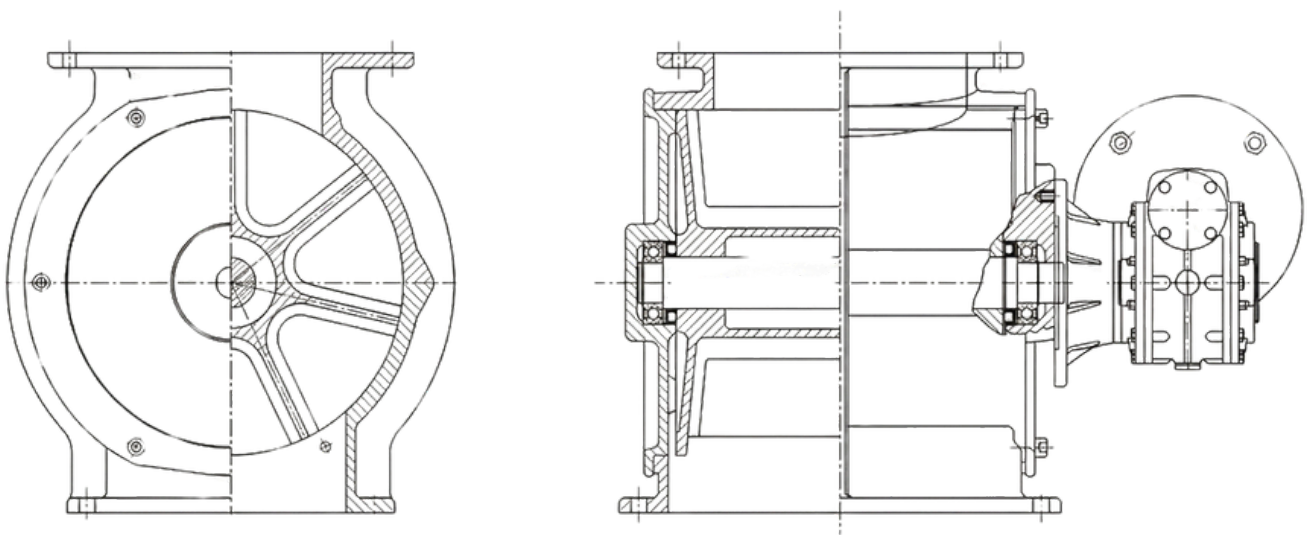
ENHANCED
STRUCTURAL
STABILITY

OPTIMIZED
ENERGY
PERFORMANCE

ENGINEERED FOR PRECISION, POWER & LONGEVITY

The Rotary Valve X Series is manufactured using high-precision CNC machining combined with enhanced dimensional control to ensure optimal rotor-to-housing tolerances.

Its upgraded rotor configuration improves material discharge uniformity while maintaining minimal air leakage across pressure differentials. Reinforced housing construction and heavy-duty bearing systems ensure reliable operation in high-capacity and continuous-duty environments.



ENGINEERING FEATURES

- Precision CNC-machined heavy-duty housing
- Optimized rotor geometry for stable discharge
- Enhanced sealing configuration for minimal leakage
- Reinforced structural construction
- Advanced wear-resistant surface treatments

PREMIUM PERFORMANCE ACROSS INDUSTRIES

Typical Applications:

- High-Pressure Pneumatic Conveying
- Kiln & Clinker Discharge
- Boiler Ash Handling
- Mineral & Ore Transfer
- Large-Capacity Silo Discharge
- Dense Phase Conveying Systems

Industries Served:

- Cement Manufacturing
- Power Generation
- Mining & Mineral Processing
- Steel & Metallurgical Industries
- Chemical Processing Plants



OSWAR

rotocorp

Corporate Office

Jaipur, Rajasthan India
Nagpur, Maharashtra India

Sales Inquiries

info@oswarrotocorp.com

Helpline

[+44 7917 128505](tel:+447917128505) | [+91 77422 36474](tel:+917742236474)

Copyright © 2026 OSWAR ROTOCORP. All Rights Reserved. OSWAR® is a registered trademark of **OSWAR ROTOCORP**. This brochure makes no offers, representations or warranties (express or implied), and information and data contained in this brochure are for general reference only and may change at any time.